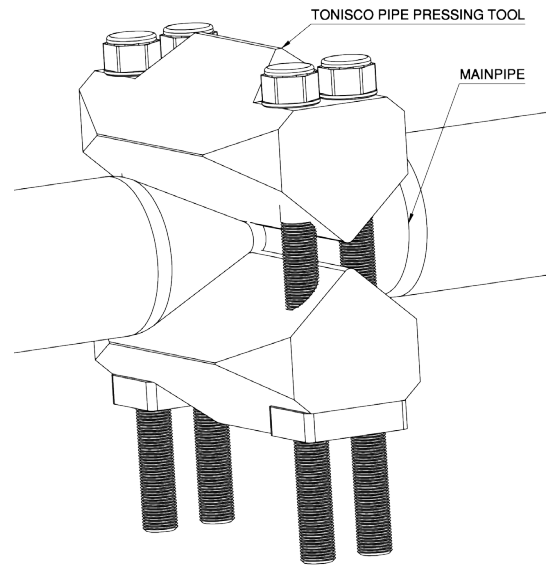


TONISCO® PS

**Pipe Squeezers DN20 - DN150
for steel pipelines**



TONISCO® PS150 Typical Setting



TONISCO® PS DN40, DN80, DN 125, DN150

Description

TONISCO® PIPE SQUEEZERS are designed to situations, when a part of the pressurized pipe network is forced to be isolated from service because of a leak or alteration work. By using TONISCO® PS interruption or interference of the process can be avoided. The best results are achieved when TONISCO® PIPE SQUEEZERS are used together with other TONISCO® hot tapping tools.

Features

TONISCO® PIPE SQUEEZERS consists from two machined pressing Jaws made from machined and tempered Steel. The Jaws are connected with strong bolts that are machined from one solid steel bar. The robust design and the use of strong simple materials and designs ensures that the TONISCO® PS will work just the way they are intended – every time.

TONISCO® PIPE SQUEEZERS comes in four different models, Small, Medium Large and X-Large. The pressing range covered starts from DN20 and goes all the way up to DN150. PIPE SQUEEZERS are named after the largest operating diameter as follows; PIPE SQUEEZER DN40 (Small), PIPE SQUEEZER DN80 (Medium), PIPE SQUEEZER DN125 (Large), PIPE SQUEEZER DN150 (X-Large).

- SMALL (DN40) 19,00 Kg
- MEDIUM (DN80) 32,00 Kg
- LARGE (DN125) 62,00 Kg
- XL (DN150) 70,00 Kg

TONISCO® PIPE SQUEEZER sets can always be adjusted to customer needs. The basic set comes with all manual tools. The set can be completed with Electrical or Pneumatical Drive Unit and other accessories.





TONISCO® PS SPECIFICATIONS	Height	Lenght	Jaws	Total weight	Item no.
PS 150	405 mm	350 mm	46 kg	70 kg	6100.1500
PS 125	390 mm	305 mm	43 kg	60 kg	6100.1250
PS 80	367 mm	150 mm	16 kg	36 kg	6100.0800
PS 40	178 mm	127 mm	10 kg	30 kg	6100.0400

TONISCO® PS	Item.	Material/Type	Item no.
Structure & Materials	Upper Jaw	S355JR	6111.1500
	Washer	DIN126	6113.1510
	Screw	42CrMo4 / DIN912	6113.1560
	Lower Jaw	S355JR	6111.1510
	Nut Plate	42CrMo4	6111.1520

PS Ratchet Set DN150	Item	Item no.
Item no. 6100.0030	Socket 46 mm 3/4"	6115.0040
	Ratchet 3/4"	6115.0070
	Extension 3/4"	6115.0080

PS Ratchet Set DN40-DN125	Item	Item no.
Item no. 6100.0020	Socket 36 mm 3/4"	6115.0050
	Ratchet 3/4"	6115.0070
	Extension 3/4"	6115.0080

PS Torque Multiplier Set	Item	Item no.
Item no. 6100.0040	Torque Multiplier	6115.0020
	Extension Bar	6115.0030
	Adapter 3/4" - 1"	6115.0090

PS Electric Unit	Item	Item no.
Item no. 6100.0050 <i>*alternative / contact sales</i>	Electric Drive unit B30	1411.0000
	Drive adapter 3/4"	6115.0010
	Secondary Shaft Set	6115.0200
	<i>*Pneumatic Drive unit B30</i>	<i>1467.0000</i>

PS Accessories DN40 - DN125	Item	Item no.
Item no. 6100.0010	Transport Box Small	6115.0100
	EP-grease	6113.0090
	Allen key 5mm	1250.0020

PS Accessories DN150	Item	Item no.
Item no. 6100.0015	Transport Box Large	6115.0110
	EP-grease	6113.0090
	Allen key 5mm	1250.0020

